

KPC, KPC 24/7

Installation and operating instructions



English (GB) Installation and operating instructions

Original installation and operating instructions

These installation and operating instructions describe Grundfos KPC and KPC 24/7.

Sections 1-3 give the information necessary to be able to unpack, install and start up the product in a safe way.

Sections 4-8 give important information about the product, as well as information on service, fault finding and disposal of the product.



Make sure that the system in which the pump is incorporated is designed for the maximum pump pressure.



This pump has been evaluated for use with water only.

CONTENTS

	Page
1. General information	2
1.1 Symbols used in this document	2
2. Installing the product	3
2.1 Location	3
2.2 Mechanical installation	4
2.3 Electrical connection	5
3. Starting up the product	5
3.1 Manual operation	5
3.2 Automatic operation with float switch	5
3.3 Thermal protection	5
4. Product introduction	6
4.1 Product description	6
4.2 Intended use	6
4.3 Pumped liquids	6
5. Servicing the product	6
5.1 Maintaining the product	6
6. Fault finding the product	7
7. Technical data	8
7.1 Operating conditions	8
7.2 Electrical data	8
7.3 Mechanical data	8
7.4 Dimensions and weights	8
8. Disposing of the product	8

1. General information

1.1 Symbols used in this document

1.1.1 Warnings against hazards involving risk of death or personal injury

DANGER



Indicates a hazardous situation which, if not avoided, will result in death or serious personal injury.

WARNING



Indicates a hazardous situation which, if not avoided, could result in death or serious personal injury.

CAUTION



Indicates a hazardous situation which, if not avoided, could result in minor or moderate personal injury.

The text accompanying the three hazard symbols DANGER, WARNING and CAUTION is structured in the following way:

SIGNAL WORD



Description of hazard

Consequence of ignoring the warning.
- Action to avoid the hazard.



Read this document and the quick guide before installing the product. Installation and operation must comply with local regulations and accepted codes of good practice.



This appliance can be used by children aged from 8 years and above and by persons with reduced physical, sensory or mental capabilities or lack of experience and knowledge if they have been given supervision or instruction concerning use of the appliance in a safe way and understand the hazards involved.

Children shall not play with the appliance. Cleaning and user maintenance shall not be made by children without supervision.

1.1.2 Other important notes



A blue or grey circle with a white graphical symbol indicates that an action must be taken.



If these instructions are not observed, it may result in malfunction or damage to the equipment.



Tips and advice that make the work easier.

2. Installing the product



Observe local regulations setting limits for manual lifting or handling.

CAUTION

Crushing of feet

Minor or moderate personal injury
 - Use safety shoes when handling the pump.



2.1 Location

The pump can be installed in a well or pond for permanent or portable use in vertical position.



Make sure that there are minimum 3 m free cable above the liquid level. This limits the maximum installation depth to 7 m for pumps with a 10 m cable and to 2 m for pumps with a 5 m cable.

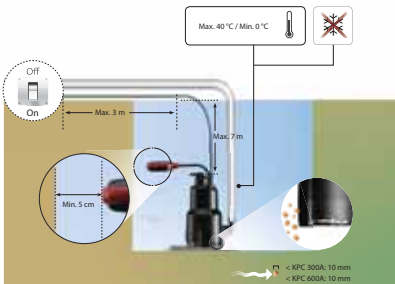


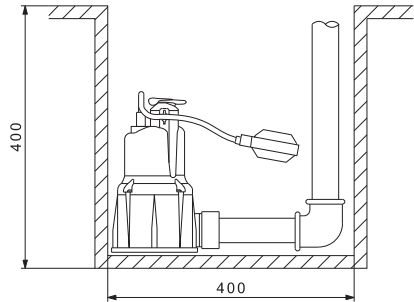
Fig. 1 Location of KPC pump

TM06 8029 4716

2.1.1 Minimum space for the float switch

The pumps require 5 cm free space between the float switch and the wall. The free space ensures free movability of the float switch.

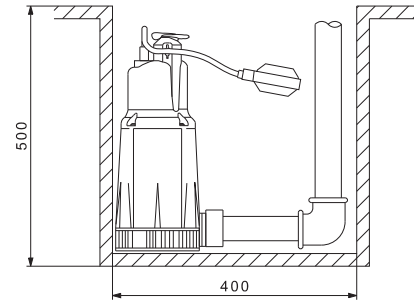
KPC 300 A



TM02 9100 0513

Fig. 2 Minimum pit dimensions for KPC 300 A

KPC 600 A



TM02 9101 0513

Fig. 3 Minimum pit dimensions for KPC 600 A

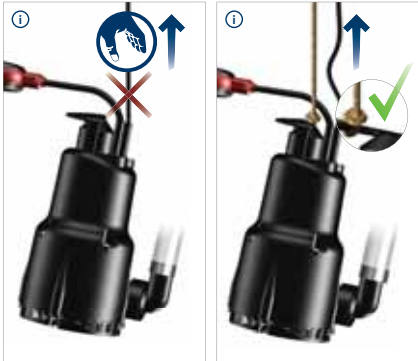
2.2 Mechanical installation

2.2.1 Foundation

Place the pump on a plate or on bricks so that the inlet strainer is free of silt, mud or similar materials.

2.2.2 Lifting the product

Lift the pump by the lifting handle. Never lift the pump by the power cable. Tie a rope to the lifting handle instead.



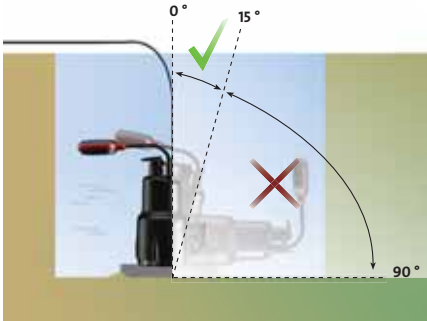
TM06 8030 4716

Fig. 4 Lifting the pump

2.2.3 Positioning the product

The pump can be tilted up to 15 ° from vertical position.

During operation, the pump must be covered by the pumped liquid to ensure efficient cooling.



TM06 8031 4716

Fig. 5 Positioning

2.2.4 Connecting the outlet pipe

The outlet pipe can be connected to the pump outlet port by means of the 90 ° adapter.



Fig. 6 Connecting the outlet pipe

Outlet port threads

Pump	Thread
KPC 24/7	Rp 1
KPC 300 A	Rp 1
KPC 600 A	Rp 1 1/4

TM06 8033 4716

2.3 Electrical connection



Carry out the electrical connection according to local regulations.

DANGER

Electric shock



Death or serious personal injury

- Switch off the power supply before starting any work on the product. Make sure that the power supply cannot be accidentally switched on.

- Check that the supply voltage and frequency of the installation site correspond to the values stated on the nameplate.
- Make sure that it is possible to make a good earth connection.
- Pumps with plug: connect the plug to the power outlet.
- Pumps without plug: connect the pump permanently to the fixed wiring as described below.

DANGER

Electric shock



Death or serious personal injury

- Connect pumps without plug permanently to the fixed wiring via an external main switch with a minimum contact gap of 3 mm in all poles.

DANGER

Electric shock



Death or serious personal injury

- The pump must be earthed.
- The protective earth of the power outlet must be connected to the protective earth of the pump. The plug must therefore have the same PE connection system as the power outlet. If not, use a suitable adapter.

DANGER

Electric shock



Death or serious personal injury

- The installation must be fitted with a residual current device (RCD) with a tripping current less than 30 mA.

DANGER

Electric shock



Death or serious personal injury

- If the pump is used for cleaning or other maintenance of swimming pools, garden ponds or similar places, make sure that the pump is supplied through a residual-current circuit breaker with a rated residual operating current of 30 mA.

3. Starting up the product

WARNING

Flammable material



Death or serious personal injury

- Do not use the pump for flammable liquids, such as diesel oil, petrol or similar liquids.

DANGER

Electric shock



Death or serious personal injury

- Do not use the pump in swimming pools, garden ponds or similar places if there are people in the water.

3.1 Manual operation

Start and stop the pump via an external main switch. To eliminate the risk of dry running, check the water level regularly during operation. This can for instance be done by means of an external level controller.

In order for the pump to be able to self-prime when started, the water level must be at least 25 mm.

When the pump sucks water, it can pump down to 20 mm water level.

3.2 Automatic operation with float switch

During automatic operation, pumps with a float switch will start and stop, depending on the water level and the float switch position and cable length.

3.2.1 Forced pump operation

If the pump is used to drain water below the stop level of the float switch, the float switch can be kept in a higher position by fixing it to the outlet pipe.

During forced pump operation, check the water level regularly to prevent dry running.

3.3 Thermal protection

If the pump is running without water, or if it is otherwise overloaded, the built-in thermal switch will cut out.

When the motor has cooled to normal temperature, it will restart automatically.

4. Product introduction

4.1 Product description

The KPC pump series are of the submersible type and designed and built to pump grey, fibre-free wastewater, mainly in permanent installations for domestic use. Thanks to their compact shape and easy-to-handle design, the KPC pumps are suitable for portable use in emergency situations,

4.2 Intended use

4.2.1 KPC series

The KPC pumps are designed for manual or automatic operation, for draining cellars and garages exposed to flooding, for pumping away wastewater from drains, rainwater traps, gutters, etc.

The KPC pumps are suitable for portable use in emergency situations, such as for drawing water from tanks or rivers, for draining swimming pools, fountains, excavations or underpasses.

The pumps are also suitable for gardening and hobby use in general.

The float switch allows permanent installation and guarantees automatic pump operation.

4.2.2 KPC 24/7 series

The KPC 24/7 pump series is designed mainly for continuous operation in permanent installations for circulating water in ponds and for supplying water to fountains and water falls.

The KPC 24/7 pumps are suitable for portable use in emergency situations, such as for drawing water from tanks or rivers, for draining swimming pools, fountains, excavations or underpasses.

The pumps are also suitable for gardening and hobby use in general.

The KPC 24/7 pumps are not equipped with float switch.

4.3 Pumped liquids

The KPC pumps are designed for pumping rainwater and grey wastewater without fibres.

The pumps are not suitable for these liquids:

- liquids containing long fibres
- inflammable liquids (oil, petrol, etc.)
- aggressive liquids.

5. Servicing the product

5.1 Maintaining the product

Under normal operating conditions, the pump is maintenance-free.

If the pump has been used for liquids other than clean water, it must be flushed through with clean water immediately after use.

DANGER

Electric shock



Death or serious personal injury

- Switch off the power supply before starting any work on the product. Make sure that the power supply cannot be accidentally switched on.

DANGER

Electric shock



Death or serious personal injury

- If the power supply cable is damaged, it must be replaced by the manufacturer, his service agent or similarly qualified persons in order to avoid hazard.



Service must only be performed by trained service staff.

6. Fault finding the product

DANGER

Electric shock



Death or serious personal injury

- Switch off the power supply before starting any work on the product. Make sure that the power supply cannot be accidentally switched on.

Fault	Cause	Remedy
1. The pump does not run.	a) The power supply is switched off.	Switch on the power supply.
	b) The fuses in the installation are blown.	Replace the defective fuses.
	c) The pump thermal switch has tripped. See section 3.3 <i>Thermal protection</i> . See also point 2.	The thermal switch restarts the pump when the motor has cooled down to normal temperature.
2. The pump stops after a short time of operation (the thermal switch has tripped).	a) The temperature of the pumped liquid is higher than that stated in section 7. <i>Technical data</i> . The motor is overheated.	The pump starts automatically after sufficient cooling.
	b) The pump is partly or fully blocked by impurities.	Clean the pump.
	c) The water level is too low when the pump is started. The pump cannot self-prime. See sections 7. <i>Technical data</i> .	Move the pump to a position with higher water level, or add water until the pump starts sucking.
3. The pump runs but gives insufficient water.	a) The pump is partly blocked by impurities.	Clean the pump.
	b) The outlet pipe or hose is partly blocked by impurities. The hose may be sharply bent.	Check and clean the non-return valve, if fitted. Straighten out the hose.
4. The pump runs but gives no water.	a) The pump is blocked by impurities.	Clean the pump.
	b) The non-return valve in the outlet pipe or hose is blocked in closed position or blocked by impurities. The hose may be sharply bent.	Check the non-return valve. Clean or replace the valve, if necessary. Straighten out the hose.
	c) Pumps with float switch: The pump does not stop because the free cable length of the float switch is too long.	Reduce the free cable length.

7. Technical data

7.1 Operating conditions

7.1.1 Flow rate

Pump type	Max. head [m]	Max. flow rate [m ³ /h]
KPC 24/7 210	6.5	10
KPC 24/7 270	6.5	12
KPC 300 A	6.5	12
KPC 600 A	10.2	16

7.1.2 Temperatures

Maximum ambient temperature	40 °C
Liquid temperature	0-35 °C
Operating temperature	0-35 °C
Storage temperature	-10 to +50 °C

7.1.3 Pumped liquid requirements

Pumped liquid:	Grey wastewater without fibres
pH range:	4-9 pH

Maximum particle size through the inlet strainer

Pump type	Particle size [mm]
KPC 24/7 210	5
KPC 24/7 270	10
KPC 300 A	10
KPC 600 A	10

7.1.4 Inlet level and installation depth

Pump type	Minimum inlet level [mm]
KPC 24/7 210	8
KPC 24/7 270	30
KPC 300 A	85
KPC 600 A	175

Maximum installation depth:	7 m
Cable length:	10 m

7.2 Electrical data

Pump type	Voltage [V]	P ₁	P ₂	P ₂	I _{1/1}
		Max. [kW]	[kW]	[hp]	[A]
KPC 300 A	1 x 220-240	0.35	0.22	0.3	1.5
KPC 600 A	1 x 220-240	0.80	0.55	0.75	3.4
KPC 24/7 210	1 x 220-240	0.35	0.22	0.3	1.5
KPC 24/7 270	1 x 220-240	0.35	0.22	0.3	1.5

Pump type	Cable type	Insulation class
KPC 300 A	H05RN-F 3G0.75	F
KPC 600 A	H07RN-F 3G1	F
KPC 24/7 210	H05RN-F 3G0.75	F
KPC 24/7 270	H05RN-F 3G0.75	F

Pump type	Capacitor	
	[µF]	[Vc]
KPC 300 A	8	450
KPC 600 A	14	450
KPC 24/7 210	8	450
KPC 24/7 270	8	450

7.3 Mechanical data

Maximum dry running time:	1 minute
Enclosure class:	IP68

7.4 Dimensions and weights

See Appendix.

8. Disposing of the product

This product or parts of it must be disposed of in an environmentally sound way:

1. Use the public or private waste collection service.
2. If this is not possible, contact the nearest Grundfos company or service workshop.



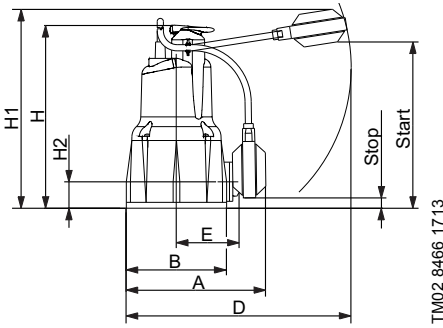
The crossed-out wheellie bin symbol on a product means that it must be disposed of separately from household waste. When a product marked with this symbol reaches its end of life, take it to a collection point designated by the local waste disposal authorities. The separate collection and recycling of such products will help protect the environment and human health.

See also end-of-life information at www.grundfos.com/product-recycling.

Dimensions and weights

KPC 300 A, KPC 600 A

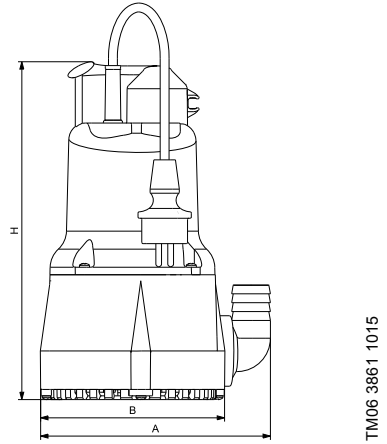
Dimensions of KPC 300 A and 600 A



Pump type	Weight [kg]	Dimensions [mm]		
		Height H	Width B	Width E
KPC 300 A	4.6	275	140	82
KPC 600 A	6.7	376	160	90

KPC 24/7 210 and 270

Dimensions of KPC 24/7 210 and 270



Pump type	Weight [kg]	Dimensions [mm]		
		Height H	Width B	Width A
KPC 24/7 210	4.5	266	140	185
KPC 24/7 270	4.6	275	140	185

Argentina

Bombas GRUNDFOS de Argentina S.A.
Ruta Panamericana km. 37.500 Centro
Industrial Garin
1619 Garin Pcia. de B.A.
Phone: +54-3327 414 444
Telefax: +54-3327 45 3190

Australia

GRUNDFOS Pumps Pty. Ltd.
P.O. Box 2040
Regency Park
South Australia 5942
Phone: +61-8-8461-4611
Telefax: +61-8-8340 0155

Austria

GRUNDFOS Pumpen Vertrieb
Ges.m.b.H.
Grundfosstraße 2
A-5082 Grödig/Salzburg
Tel.: +43-6246-883-0
Telefax: +43-6246-883-30

Belgium

N.V. GRUNDFOS Bellux S.A.
Boomsesteenweg 81-83
B-2630 Aartselaar
Tél.: +32-3-870 7300
Télécopie: +32-3-870 7301

Belarus

Представительство ГРУНДФОС в
Минске
220125, Минск
ул. Шафарнянская, 11, оф. 56, БЦ
«Порт»
Тел.: +7 (375 17) 286 39 72/73
Факс: +7 (375 17) 286 39 71
E-mail: minsk@grundfos.com

Bosnia and Herzegovina

GRUNDFOS Sarajevo
Zmaja od Bosne 7-7A,
BH-71000 Sarajevo
Phone: +387 33 592 480
Telefax: +387 33 590 465
www.ba.grundfos.com
e-mail: grundfos@bih.net.ba

Brazil

BOMBAS GRUNDFOS DO BRASIL
Av. Humberto de Alencar Castelo
Branco, 630
CEP 09850 - 300
São Bernardo do Campo - SP
Phone: +55-11 4393 5533
Telefax: +55-11 4343 5015

Bulgaria

Grundfos Bulgaria EOOD
Slatina District
Iztocna Tangenta street no. 100
BG - 1592 Sofia
Tel. +359 2 49 22 200
Fax. +359 2 49 22 201
email: bulgaria@grundfos.bg

Canada

GRUNDFOS Canada Inc.
2941 Brighton Road
Oakville, Ontario
L6H 6C9
Phone: +1-905 829 9533
Telefax: +1-905 829 9512

China

GRUNDFOS Pumps (Shanghai) Co. Ltd.
10F The Hub, No. 33 Suhong Road
Minhang District
Shanghai 201106
PRC
Phone: +86 21 612 252 22
Telefax: +86 21 612 253 33

COLOMBIA

GRUNDFOS Colombia S.A.S.
Km 1.5 vía Siberia-Cota Conj. Potrero
Chico,
Parque Empresarial Arcos de Cota Bod.
1A.
Cota, Cundinamarca
Phone: +57(1)-2913444
Telefax: +57(1)-8764586

Croatia

GRUNDFOS CROATIA d.o.o.
Buzinski prilaz 38, Buzin
HR-10010 Zagreb
Phone: +385 1 6595 400
Telefax: +385 1 6595 499
www.hr.grundfos.com

GRUNDFOS Sales Czechia and Slovakia s.r.o.

Čajkovského 21
779 00 Olomouc
Phone: +420-585-716 111

Denmark

GRUNDFOS DK A/S
Martin Bachs Vej 3
DK-8850 Bjerringbro
Tlf.: +45-87 50 50 50
Telefax: +45-87 50 51 51
E-mail: info_GDK@grundfos.com
www.grundfos.com/DK

Estonia

GRUNDFOS Pumps Eesti OÜ
Peterburi tee 92G
11415 Tallinn
Tel: + 372 606 1690
Fax: + 372 606 1691

Finland

OY GRUNDFOS Pumput AB
Trukkikuja 1
FI-01360 Vantaa
Phone: +358-(0) 207 889 500

France

Pompes GRUNDFOS Distribution S.A.
Parc d'Activités de Chesnes
57, rue de Malacombe
F-38290 St. Quentin Fallavier (Lyon)
Tél.: +33-4 74 82 15 15
Télécopie: +33-4 74 94 10 51

Germany

GRUNDFOS GMBH
Schlüterstr. 33
40699 Erkrath
Tel.: +49-(0) 211 929 69-0
Telefax: +49-(0) 211 929 69-3799
e-mail: infoservice@grundfos.de
Service in Deutschland:
e-mail: kundendienst@grundfos.de

Greece

GRUNDFOS Hellas A.E.B.E.
20th km. Athinon-Markopoulou Av.
P.O. Box 71
GR-19002 Peania
Phone: +0030-210-66 83 400
Telefax: +0030-210-66 46 273

Hong Kong

GRUNDFOS Pumps (Hong Kong) Ltd.
Unit 1, Ground floor
Siu Wai Industrial Centre
29-33 Wing Hong Street &
68 King Lam Street, Cheung Sha Wan
Kowloon
Phone: +852-27861706 / 27861741
Telefax: +852-27858664

Hungary

GRUNDFOS Hungária Kft.
Tópark u. 8
H-2045 Törökbálint,
Phone: +36-23 511 110
Telefax: +36-23 511 111

India

GRUNDFOS Pumps India Private
Limited
118 Old Mahabalipuram Road
Thoraipakkam
Chennai 600 096
Phone: +91-44 2496 6800

Indonesia

PT. GRUNDFOS POMPA
Graha Intirub Lt. 2 & 3
Jln. Cililitan Besar No.454. Makasar,
Jakarta Timur
ID-Jakarta 13650
Phone: +62 21-469-51900
Telefax: +62 21-460 6910 / 460 6901

Ireland

GRUNDFOS (Ireland) Ltd.
Unit A, Merrywell Business Park
Ballymount Road Lower
Dublin 12
Phone: +353-1-4089 800
Telefax: +353-1-4089 830

Italy

GRUNDFOS Pompe Italia S.r.l.
Via Gran Sasso 4
I-20060 Truccazzano (Milano)
Tel.: +39-02-95838112
Telefax: +39-02-95309290 / 95838461

Japan

GRUNDFOS Pumps K.K.
1-2-3, Shin-Miyakoda, Kita-ku,
Hamamatsu
431-2103 Japan
Phone: +81 53 428 4760
Telefax: +81 53 428 5005

Korea

GRUNDFOS Pumps Korea Ltd.
6th Floor, Aju Building 679-5
Yeoksam-dong, Kangnam-ku, 135-916
Seoul, Korea
Phone: +82-2-5317 600
Telefax: +82-2-5633 725

Latvia

SIA GRUNDFOS Pumps Latvia
Deglava biznesa centrs
Augusta Deglava iela 60, LV-1035, Rīga,
Tālr.: + 371 714 9640, 7 149 641
Faks: +371 914 9646

Lithuania

GRUNDFOS Pumps UAB
Smolensko g. 6
LT-03201 Vilnius
Tel: + 370 52 395 430
Fax: + 370 52 395 431

Malaysia

GRUNDFOS Pumps Sdn. Bhd.
7 Jalan Peguam U1/25
Glenmarie Industrial Park
40150 Shah Alam
Selangor
Phone: +60-3-5569 2922
Telefax: +60-3-5569 2866

Mexico

Bombas GRUNDFOS de México S.A. de
C.V.
Boulevard TLC No. 15
Parque Industrial Stiva Aeropuerto
Apodaca, N.L. 66600
Phone: +52-81-8144 4000
Telefax: +52-81-8144 4010

Netherlands

GRUNDFOS Netherlands
Veluwezoom 35
1326 AE Almere
Postbus 22015
1302 CA ALMERE
Tel.: +31-88-478 6336
Telefax: +31-88-478 6332
E-mail: info_gnl@grundfos.com

New Zealand

GRUNDFOS Pumps NZ Ltd.
17 Beatrice Tinsley Crescent
North Harbour Industrial Estate
Auckland
Phone: +64-9-415 3240
Telefax: +64-9-415 3250

Norway

GRUNDFOS Pumper A/S
Strømsveien 344
Postboks 235, Leirdal
N-1011 Oslo
Tlf.: +47-22 90 47 00
Telefax: +47-22 32 21 50

Poland

GRUNDFOS Pompy Sp. z o.o.
ul. Klonowa 23
Baranowo k. Poznania
PL-62-081 Przeźmierowo
Tel: (+48-61) 650 13 00
Fax: (+48-61) 650 13 50

Portugal

Bombas GRUNDFOS Portugal, S.A.
Rua Calvet de Magalhães, 241
Apartado 1079
P-2770-153 Paço de Arcos
Tel.: +351-21-440 76 00
Telefax: +351-21-440 76 90

Romania

GRUNDFOS Pompe România SRL
Bd. Biruintei, nr 103
Pantelimon county Ilfov
Phone: +40 21 200 4100
Telefax: +40 21 200 4101
E-mail: romania@grundfos.ro

Russia

ООО Грундфос Россия
ул. Школьная, 39-41
Москва, RU-109544, Russia
Тел. (+7) 495 564-88-00 (495) 737-30-00
Факс (+7) 495 564 8811
E-mail grundfos.moscow@grundfos.com

Serbia

Grundfos Srbija d.o.o.
Omladinskih brigada 90b
11070 Novi Beograd
Phone: +381 11 2258 740
Telefax: +381 11 2281 769
www.rs.grundfos.com

Singapore

GRUNDFOS (Singapore) Pte. Ltd.
25 Jalan Tukang
Singapore 619264
Phone: +65-6681 9688
Telefax: +65-6681 9689

Slovakia

GRUNDFOS s.r.o.
Prievozská 4D
821 09 BRATISLAVA
Phona: +421 2 5020 1426
sk.grundfos.com

Slovenia

GRUNDFOS LJUBLJANA, d.o.o.
Leskovoška 9e, 1122 Ljubljana
Phone: +386 (0) 1 568 06 10
Telefax: +386 (0) 1 568 06 19
E-mail: tehnika-si@grundfos.com

South Africa

Grundfos (PTY) Ltd.
16 Lascelles Drive, Meadowbrook Estate
1609 Germiston, Johannesburg
Tel.: (+27) 10 248 6000
Fax: (+27) 10 248 6002
E-mail: lgradidge@grundfos.com

Spain

Bombas GRUNDFOS España S.A.
Camino de la Fuenteclia, s/n
E-28110 Algete (Madrid)
Tel.: +34-91-848 8800
Telefax: +34-91-628 0465

Sweden

GRUNDFOS AB
Box 333 (Lunnagårdsgatan 6)
431 24 Mölndal
Tel.: +46 31 332 23 000
Telefax: +46 31 331 94 60

Switzerland

GRUNDFOS Pumpen AG
Bruggacherstrasse 10
CH-8117 Fällanden/ZH
Tel.: +41-44-806 8111
Telefax: +41-44-806 8115

Taiwan

GRUNDFOS Pumps (Taiwan) Ltd.
7 Floor, 219 Min-Chuan Road
Taichung, Taiwan, R.O.C.
Phone: +886-4-2305 0868
Telefax: +886-4-2305 0878

Thailand

GRUNDFOS (Thailand) Ltd.
92 Chaloein Phrakiat Rama 9 Road,
Dokmai, Pravej, Bangkok 10250
Phone: +66-2-725 8999
Telefax: +66-2-725 8998

Turkey

GRUNDFOS POMPA San. ve Tic. Ltd.
Sti.
Gebze Organize Sanayi Bölgesi
İhsan dede Caddesi,
2. yol 200. Sokak No. 204
41490 Gebze/ Kocaeli
Phone: +90 - 262-679 7979
Telefax: +90 - 262-679 7905
E-mail: satis@grundfos.com

Ukraine

Бізнес Центр Європа
Столичне шосе, 103
м. Київ, 03131, Україна
Телефон: (+38 044) 237 04 00
Факс.: (+38 044) 237 04 01
E-mail: ukraine@grundfos.com

United Arab Emirates

GRUNDFOS Gulf Distribution
P.O. Box 16768
Jebel Ali Free Zone
Dubai
Phone: +971 4 8815 166
Telefax: +971 4 8815 136

United Kingdom

GRUNDFOS Pumps Ltd.
Grovebury Road
Leighton Buzzard/Beds. LU7 4TL
Phone: +44-1525-850000
Telefax: +44-1525-850011

U.S.A.

GRUNDFOS Pumps Corporation
9300 Loiret Blvd.
Lenexa, Kansas 66219
Phone: +1-913-227-3400
Telefax: +1-913-227-3500

Uzbekistan

Grundfos Tashkent, Uzbekistan The
Representative Office of Grundfos
Kazakhstan in Uzbekistan
38a, Oybek street, Tashkent
Телефон: (+998) 71 150 3290 / 71 150 3291
Факс: (+998) 71 150 3292

Addresses Revised 15.01.2019

99259616 0419

ECM: 1259054

Trademarks displayed in this material, including but not limited to Grundfos, the Grundfos logo and "be think innovate" are registered trademarks owned by The Grundfos Group. All rights reserved. © 2019 Grundfos Holding A/S, all rights reserved.